

LYN

ラグ端子複素子形オーディオ用シリーズ Lug Terminal for Audio Amplifier

■特長 FEATURE

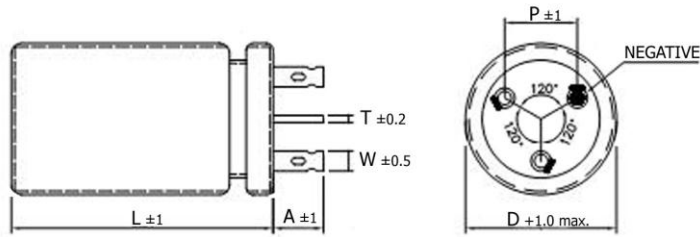
- 無酸素銅のラグ端子付オーディオ・アンプ用
Designed for audio power amplifier use.
- 複素子標準品
2 capacitances/outlets for option.
- 専用開発された低倍率・余裕をもたせた高圧箔採用による低ESR、耐リップルの大型サイズ
Lowest DF/ESR
- 85°C 1,000 時間保証
Life guaranteed 1,000 hours/85°C.
- RoHS 対応品



■仕様 SPECIFICATIONS

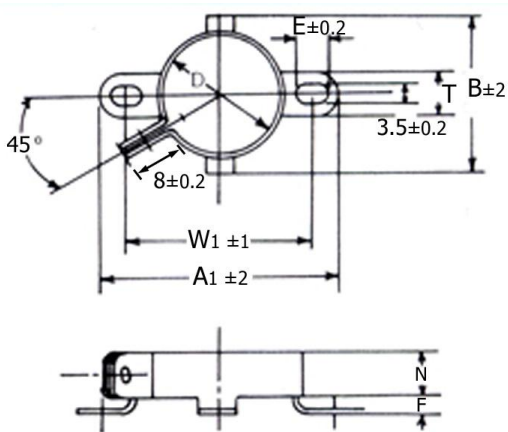
| 項目 Item | 特性 Performance Characteristics | | | | |
|---|--|--|------|------|--|
| 使用温度範囲 Operating Temperature range | -25 + 85°C | | | | |
| 定格電圧範囲 Rated Voltage | 350V ~ 500V | | | | |
| 静電容量範囲 Capacitance Range | 10 ~ 100 μF | | | | |
| 静電容量範囲 Capacitance Tolerance | ±20% (120Hz, 20°C) | | | | |
| 漏れ電流 Leakage Current | I ≤ 0.03CV または 5 mA のいずれかの大きい値以下 (5分値) I ≤ 0.03CV or 5 mA, whichever is smaller after 5 minutes application of rated voltage. | | | | |
| 損失角の正接 Dissipation Factor | 定格電圧 (V) Rated voltage (V) | 350 | 450 | 500 | Tan δ spec. for one single terminal only (120Hz, 20°C) |
| | Tan δ (max.) | 0.20 | 0.25 | 0.25 | |
| 温度特性 Temperature Characteristics (120Hz) | インピーダンス比 Impedance Ratio / Stability at Low Temperature | | | | |
| | 定格電圧 (V) Rated voltage (V) | 350 | 450 | 500 | |
| | Z (-25°C) / Z (20°C) | 8 | 8 | 8 | |
| 高温負荷特性 Load Life | 85°C 1,000 時間定格電圧印加後、下記規格を満足する。 After 1,000 hours application of WV at 85°C, capacitor shall meet the characteristics requirements mentioned below. | | | | |
| | 静電容量範囲 Capacitance change | 初期値の±20%以内 Within ±20% of initial value | | | |
| | 損失角の正接 Dissipation Factor | 初期規格の200%以内 200% or less of initial specified value | | | |
| | 漏れ電流 Leakage current | 初期規格値以下 Initial specified value or less | | | |
| 高温無負荷特性 Shelf Life | 85°C 500 時間無負荷放置後、上記高温負荷特性を満足する。(但し JIS C-5101 4.4 項の電圧処理後) At 85°C, no voltage applied for 500 hours, the capacitor shall meet the limits as in load life. | | | | |

■ 寸法図 DIMENSIONS (mm)



unit : mm

| ϕD | A | W | T | P |
|----------|-----|-----|-----|---|
| 25 | 8.5 | 4.5 | 0.7 | 7 |
| 35 | 8.5 | 4.5 | 0.7 | 9 |



(Mounting Holder) バンド

unit : mm

| ϕD | W ₁ | A ₁ | B | E | N | F |
|----------|----------------|----------------|----|-----|----|---|
| 25 | 44 | 55 | 40 | 7.0 | 10 | 5 |
| 35 | 50 | 60 | 50 | 5.5 | 12 | 6 |

■ 寸法表 STANDARD PRODUCTS TABLE

$D \phi \times L$ (mm)

| Cap (μF) \ WV(SV) | 350 (2V) | | 450 (2W) | | 500 (2H) | |
|--------------------------|----------|---------|----------|---------|----------|---------|
| | 10 + 10 | 25 x 30 | 100 | 25 x 40 | 110 | 25 x 40 |
| 22 + 22 | 25 x 40 | 150 | 25 x 50 | 160 | 25 x 65 | 210 |
| 33 + 33 | 25 x 50 | 170 | 25 x 65 | 200 | 25 x 70 | 245 |
| 47 + 47 | 25 x 65 | 220 | 35 x 60 | 200 | 35 x 70 | 270 |
| 100 + 100 | 35 x 70 | 550 | 35 x 100 | 550 | 35 x 110 | 650 |

* Allowable ripple current showed in this table are for each single terminal only.

Ripple current (mA) at 85°C 120Hz